

TRED-X™ 30/30 MACHINE

PERFORM
TRAINING SYSTEMS



TRED-X 30/30 MACHINE

Serious Training For Serious Athletes

Perform-X Training Systems offers state-of-the-art equipment for performance and high intensity circuit training. The Tred-X 30/30 along with Perform-X's unique training concepts and methods have proven to develop speed in athletes time and again. Your athletes deserve the edge they will gain with this powerful tool. Being powered by Perform-X will allow you to train people to achieve results never before believed possible. Higher positions.



SPEED

There are fitness treadmills and then there is the Tred-X 30/30. This specialized machine was developed with speed in mind. Athletes need to train at higher velocities and elevations to achieve real results. The traditional treadmills just don't cut it.



CONCEPT

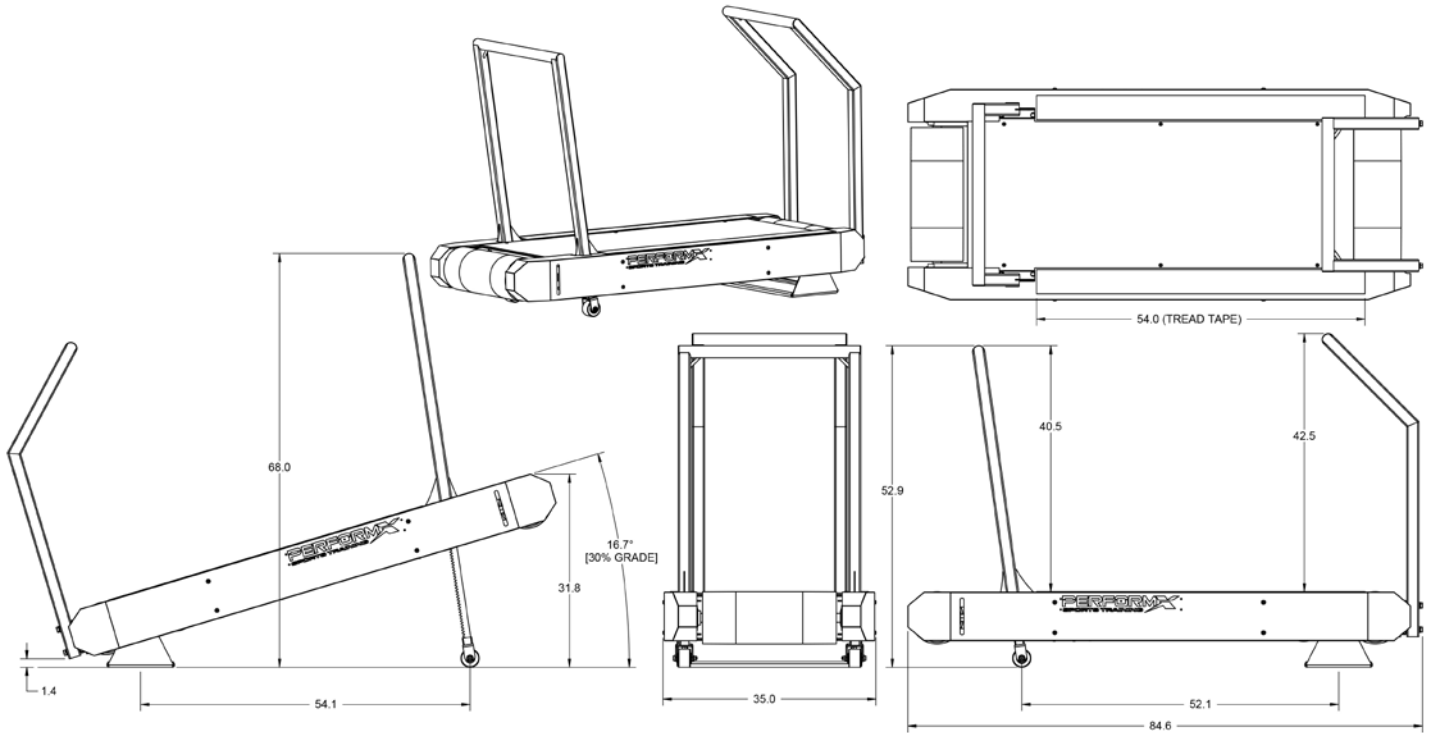
With over 20 years of experience and research, we have learned speed of contraction is the best way to increase an athlete's top end speed. The faster you can force a human's legs to move, the faster the body can retain that information. We have developed a safe method to force this muscle memory and retention resulting in faster athletes.



PERFORMANCE

The Tred-X 30/30 is a high speed treadmill capable of speeds up to 30 MPH and an incline of 30% grade. It includes a built-in spotting system to keep people safe as they train at such high speeds. Each machine comes with an external touch-screen display and control center that include automatic speed and elevation adjustments.

TRED-X 30/30 MACHINE SPECIFICATIONS



Performance Specifications	
0 - 30% Incline	✖
0-30 MPH	✖
External control center	✖
Touch-screen display	✖
Auto Incline control	✖
Auto Speed control	✖
Safety harness	✖

Physical Specifications	
Length	84.6"
Width	35"
Height	68" (high point) 52.9" (low point)
Weight	850 lbs
Electrical Requirements	220 volts/single phase
Running Surface	21.5" W x 72" L
Weight Capacity	Run - 600 lbs Walk - 800 lbs

